



**2001 CHAPTER OFFICERS**

**Graham Bird, President**  
510.530.9008 H  
650.323.7992 W  
president@iac38.org

**Michael Flynn, Vice Pres.**  
408.358.4041 H  
650.429.3415 W  
vicepres@iac38.org

**Alex Droshoff, Secretary**  
925.373.8786 H  
925-423-2372 W  
secretary@iac38.org

**Bradley Oliver, Treasurer**  
408.446.9421 H  
650.210.5073 W  
treasurer@iac38.org

**DIRECTORS**

**Cecilia Aragon**  
510.527.4466 H  
aragon@dcai.com

**Angie Niles**  
925.373.8786 H  
925.422.8482 W

**Tom Myers**  
650.328.2141 H  
408.481.8796 W  
tom\_myers@trimble.com

**Sean Worthington**  
408.615.8555 H

**Cris Flint**  
415.743.7568 W  
415.602.7568 C  
cris@freebird-aerobatics.net

**Fred Abramson**  
650.358.0393 H  
510.783.3521 Hanger  
fred@abramson.com

**DIRECTORS EMERITUS**

**Dr. Richard Rihn**  
510.938.4236 H  
rihnairco@aol.com

**Jeanette Goodman**  
209.478.5462

**NEWSLETTER EDITOR**

**Bradley Oliver**  
408.446.9421 H  
650.210.5073 W  
newsletter@iac38.org



# THE ACRONAUT

Volume 2 - Number 2

February 2001

## President's Post Graham Bird



WJW WKH VIDUW RI WKH VHDVRO! 7KH DHUR-SODQHV DUH FRPLOJ RXW RI KLEHUQDWLRO DOG DOQXDO (PLOH LV EDFN WRGD\!!!!) DOG , VHH WKDW D IHZ KDUG\ IRONV KDYH EHHQ LQ WKH ER[ DOUHDG\!

(ORXJK H[FODPDWLRO PDUNV (SRLOW IRU WKH ORQ-%ULW VSHDNHUV).

: LWK IO\LOJ EHFRLQJ PRUH DSSHDLOJ , KRSH WR VHH PRUH RI \RX DW SUDFWLFH DOG RWKHU &KDSWHU HYHQW WRR. 7KH %RDUG KDV EHHQ JLYLQJ SDUMLFLSDWLRO D ORW RI WKRXJKW WRR, LQ SDUMLFXODU LQFUHDV-LQJ WKH UDQJH DOG W\SH RI HYHQW. \$V XVXDO, WKHUH ZHUH ORW RI LGHDV. 7KH WIDON UHYROYHG DURXOG WKH (\$\$WV p)LYH)VW WKDW , GLVFRYHUHG DW 26+ ODVW \HDU DOG WKDW ' HQLV /RJXHJV UHFHOW DUILFOH VMLUHG DJDLQ. \$V DO DVLGH, LI \RX VHH WKH %ULW JLJLOLQJ, LW LV EHFDXVH LW KDV DO HQLUHO\ GLIITHUHQW FROQRUDWLRO WKHUH. %XW \RX ZLOO KDYH WR EX\ RQH RI XV VRPH VHULRXV EHHU WR GLVFRYHU WKDW LQW\SHUHWLRO.

ODQ\ SHRSOH KDGQWV KHDUG RI LW (DW OHDVW IRU D ORQJ ZKLOH) VR IRU WKRWH RI \RX LQ WKDW FDPV LW LV )O\LQJ, )ULHQGVKLS, )XQ, )RRG DOG )DPLQ. 8V-LQJ WKDW UHFLSH PDGH XV H[SORUH PDQ\ W\SHV RI JDIKHULQJ WKDW ZRXOG SURYLGH PRUH IXQ WR WKH ZKROH PHPEHUVKLS DOG QRW MXVW WKH FRPSHWLWLRO JX\W. /RRN IRU VRPH EUHDNIDVW IO\RXW, VRFLDO JDIKHULQJV RI WKH 3RW /XFN W\OH, %%4V RQ ZHHNHQGV (LQ WKH QHZ JDUGHQV DW 7UDF"), DOG KDQJHU IO\LOJ VHWLROV. ,I \RX KDYH LGHDV IRU HYHQW WKH ERDUG ZRXOG ORYH WR NORZ DEXW WKHP. : H DOVR ZDQW WR VKDUH WKH ORDG, VR LI \RX KDYH D SDUHQHU, VSRXVH, 62, ORGJHU, URRPPDWI HMF. ZKR KDV WLPH DOG HQWKXVLDVP ZH FRXOG XVH WKH KHOS. 3HUKDSV HYHQ <28 FRXOG KHOS"

<RX FDQ PDLO DQ\ RI XV (GHNDLOV RQ OHIW) LQGL-

YLGXD00\ RU PDLO WR WKH ZKROH ERDUG DW RQFH EX\ XVLQJ LDF38ERDUG#FDQELUG.RUJ

\$V PDQ\ RI \RX NORZ, ,WV WDJYHOLQJ D ORW ZLWK ZRUN DOG , KDYH D UHJXODU PDQDJHPHOW WHDP PHHWLQJ WKDW RFXUV LQ WKH VFRQG ZHHN RI WKH PRQW. \$V WKLV LV DQWUDW\ LQ WKH 86 DOG (XURSH, ,WV ERXOG WR PLW D ORW RI FKDSWHU PHHWLQJV. <RXU 9LFH 3UHVLGHQW, OLFKDHO )O\QQ, ZLOO UXQ WKH PHHWLQJV IRU WKLV \HDU DOG ,WV DUVLVW ZKHQ , FDQ. 7KH RWKHU 1HZ <HDU 5HVROXWLRO LV WR W\ DOG SXEOLK WKH PHHWLQJ WRSLF ZHOO DKHDG RI WLPH DOG \RX VKRXOG VHH VRPH KLOW LQ WKLV QHZVHWHU. : HQQ LPSURYH WKDW SODQLOJ DOG ULVW RYHU WKH QH[W FRXSOH RI PRQWV. &ULV )OLW KDV EHHQ ZRUNLQJ KDUG WR JHW DOO WKH (IDLQ\ )ORFDO FKDSWHUW WR DQQRXQFH WKHU FRPSHWLWLRO GDMW HDU\ VR WKDW ZH FDQ SODQ.

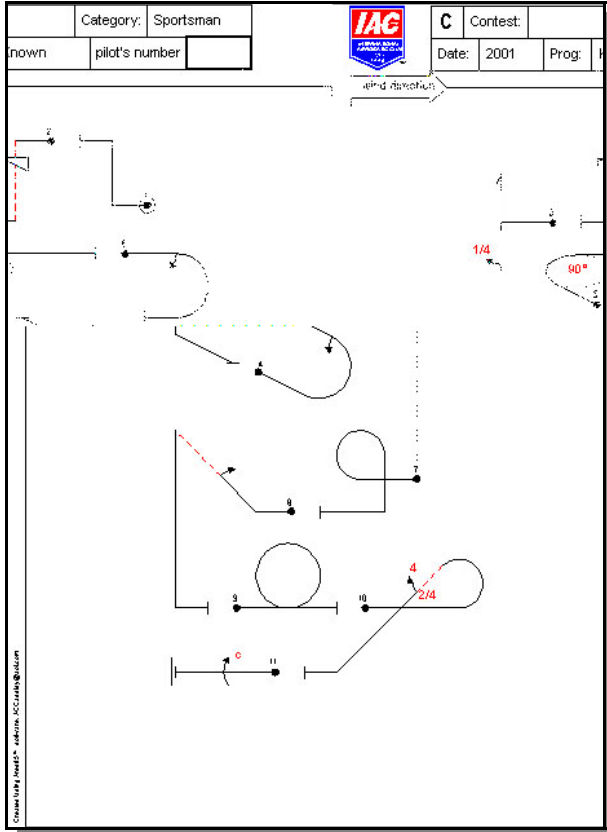
2XU GDMW IRU 3DVR KDV EHHQ IL[HG IRU D ZKLOH QRZ (OD\ 31 ± -XQ 2) ± DOG ZH DOVR JRW QHZV WKLV ZHHN WKDW WKHUH LV D ZLOH IHVLYDO LQ 3DVR WKDW ZHHNHQ DOG URRPV DUH DW D SUHPLXP. %RRN QRZ. : H DOVR KDYH D &' , WKH LQLPLWDEOH ODJJLH 5RWK (ZKR GLG WKH MRE ODVW \HDU) KDV DJUHHG WR ZKLS XV LQWR VKDSH. ODJJLH LV DW P. URWK#RSHQJURXS.RUJ DOG LV DFFHSWLQJ YROXQ-WHUH 12: !

/HWV JHW IO\LOJ!!!! ✈

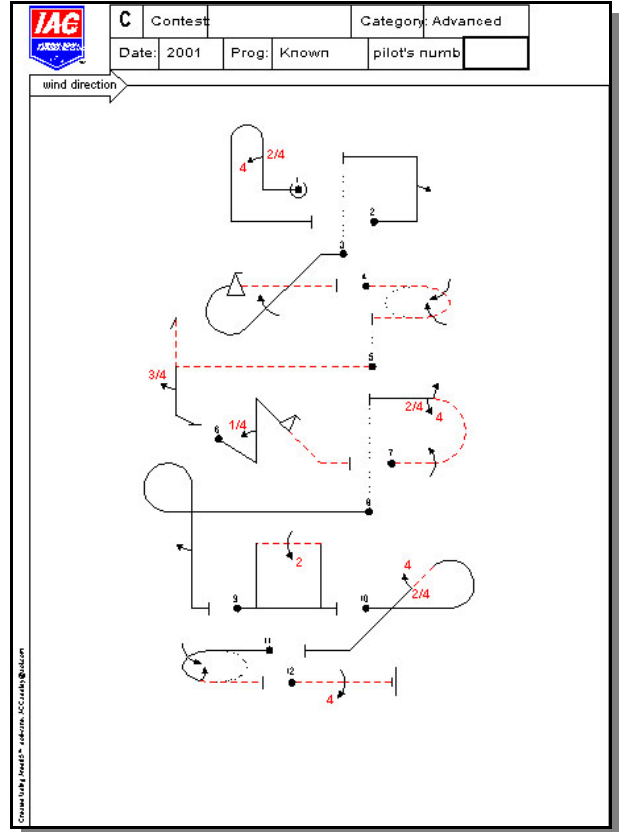
### In This Issue

- 1 President's Post
- 2 2001 Knowns
- 3 Welcome New Members
- 3 Aeronautical Apparatus Manual
- 3 Paso Hotel Alert
- 3 Chapter Meeting — Time & Location
- 4 Chapter 38 Judge's School
- 5 Delano FunFest Information
- 5 Judges School Registration Form
- 6 Membership Renewals
- 6 Aviation Quote
- 6 Picture of the Month
- 7 Plane of the Month
- 7 Classifieds
- 8 Aviation News
- 8 Young Eagles Tax Information
- 9 Calendar Events
- 9 February 11th Meeting — Topic
- 9 Web Site of the Month

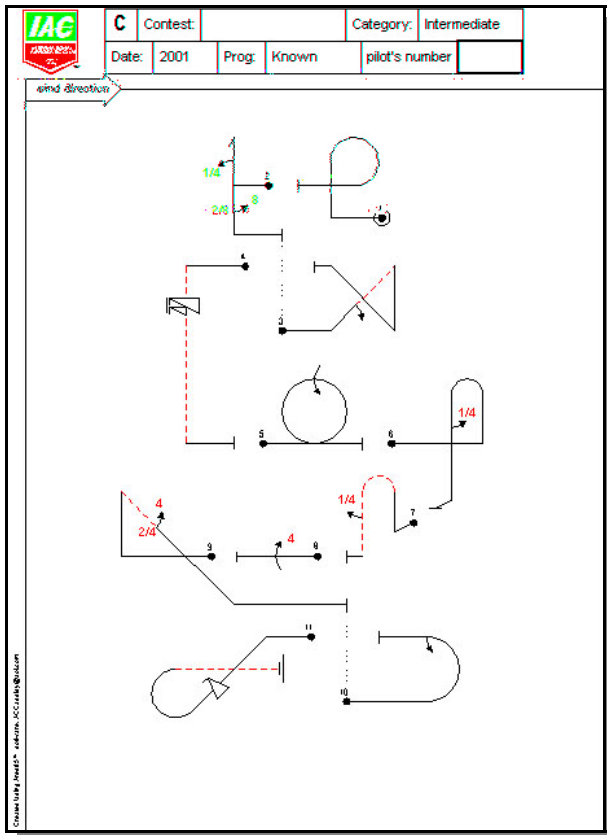
2001 Sportsman Known



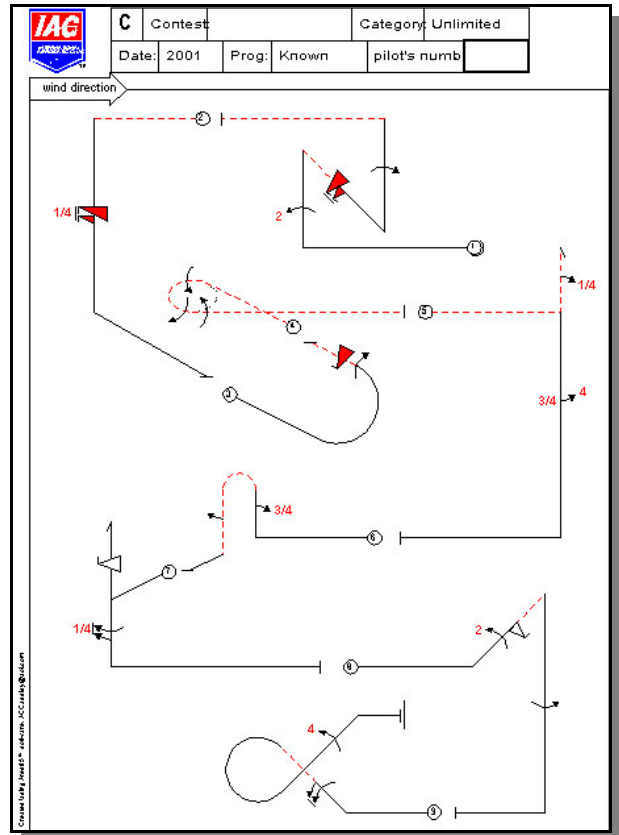
2001 Advanced Known



2001 Intermediate Known



2001 Unlimited Known





## Don't Forget to Sign Up for the Judge's School

Angie Niles

/DVW \HDU\IV -XGJHV 6FKRR0 ZDV WJHPHQGRXV0\ VXFHVWVIX0 LQ WKDW ZH KDG D IX00 FODVVURRP RI SHRS0H EHJLQLOQJ WKH , \$ & -XGJHV & HUVLILFDMLRQ 3URJUDP DV ZH00 DV WKRVH DWWHQGLQJ IRU UHFVXUHQF\ . 7KLV \HDU LQWV ORRNLOJ 0LNH ZH ZL00 ILHOG D IX00 FRPSHWLWLRQ WHP ZLWK HYHU\WKLOJ IURP %DVLV WKURXJK 80QLPLWHG . 0DQ\ RI WKH SHRS0H ZKR ZKHUH LQ EHWZHHQ S0DQHV RU KDG S0DQHV GRZO IRU PDLQHQDQFH DUH QRZ EDFN XS DQG 10\LOJ . : H D0VR KDYH D FRXSOH RI SLORW ZKR DUH MXVW EHJLQLOQJ DHUREDMLF 10LJKW WJDLQLOJ . Z11 WKH FX11 , FDO FRPH XS ZLWK VL[ 6SRUWPDQ SLORW D0RQH DQG ZLWK VRPH WKRXJKW FRX0G SURED0\ WKLON RI D FRXSOH PRUH . \$0\RQH FRQVLGHULQJ FRPSHWLWLRQ , RU DFWLYH0\ FRPSHWLQJ , LV VWUROJ0\ HQFRXUDJHG WR DWWHQG WKH VFKRR0 . , 0 RUGHU WR 10\ ZH00 EH1RUH WKH MXGJHV , LW LV FULWLFDO WR NORZ ZKDW WKH\ DUH ORRNLOJ IRU DQG KRZ 1LJXUHV DUH VFRUHG . 7KRVH ZKR DUH D0UHDG\ MXGJHV VKRX0G FRQVLGHU DWWHQGLQJ IRU UHFVXUHQF\ .

Z1 WKH QHZ MXGJHV ZKR WRRN WKH VFKRR0 0DVW \HDU , EH0LHYH RQ0\ RQH FRPS0HHHG WKH SURFHV DQG ZH0W RQ WR EHFRRP D FHVWLILHG MXGJH . 7KLV \HDU , ZRX0G 0LNH WR VHH PRUH SHRS0H 1LQLVK . 3URED0\ WKH VLOJ0H ELJJHVW KXUG0H LV FRPS0HWLQJ WKH -XGJHV +RPH : RUNERRN . )UHG \$EUDPVRQ , RXU , 0VWUXFWRU RI 5HFRRUG , KDV JHQHURXV0\ R11HUHG WR VSHQG DQ HYHQLOJ UHYLHZLOJ WKH -XGJHV +RPH : RUNERRN ZLWK WKH FRXUVH DWWHQGHV . )R0RZLOJ XS WKH VFKRR0 , ZH ZL00 KR0G D VHUHVH RI MXGJHV ZRUNVKRSV DQG FULWLTXLOJ SURJUDP . 7KHVH ZL00 EH KH0G DW WKH 7UDF\ \$USRUW RQ WKH 0DVW 6XQGD\ RI WKH PRQWK IURP 0DUFK WKURXJK 0D\ DQG ZL00 HPSKDVLVH VFRULQJ RI 1LJXUHV . 7KHUH ZL00 EH 0R1W RI KDQGV RQ SUDFWLFH DQG GLVFXVLRQ . 0\ 1QHWQLRQ LV WR PDNH LW HDVLUH WR FRPS0HHH WKH SURJUDP E\ SURYLGLQJ FRQ1LQXLOJ RSSRUWQOLWLVH WR 0HDUQ WKH UX0HV DQG FRPS0HHH WKH ZULWQH QPDWULDO . 0\ KRSH LV WKDW E\ WKH WLPH RXU 3DVR 5RE0HV FRQWVW UROOV DURXQG ZH KDYH D QXPEHU RI QHZ MXGJH FDOGLGDWHV WKDW MXVW QHHG WR FRPS0HHH WKHU DVLVWDOQ MXGJLQJ 10LJKW DQG RUDO H[D0P . ' RQW IRUJHVH WR UHJLVWU IRU WKH VFKRR0 . , 0IRUPDLRQ DQG UHJLVWDLRQ IRUPV DUH LQ WKLW QHZV0HWHU .

, QHHG WR RUGHU PDWULDOV LQ DGYDQFH RI WKH -XGJHV 6FKRR0 DQG ZRX0G 0LNH D URXJK KHDGFRXQW E\ )HE 12 . : H ZL00 D0VR QHHG WR NORZ KRZ PDQ\ 0X0FKVH WR SUHSDUH . , ZL00 RUGHU H[WDV LQ DQWLFLSDDLRQ RI ZD0NLQV . , 1\RX LQW0G RQ JRLQJ EXW KDYH 0R1W UHJLVWUHQG E\ WKHQ , S0HDVH SKRQH PH DQG 0HDYH D YRLFH PDLO WR HQVXUH ZH KDYH HQRXJK MXGJHV VFKRR0 SDFNHV DQG 0X0FKVH . 7KDQN \RX .

## Judges School Registration Form

Page 5



## Chapter 38 Judge's School

Angie Niles

**%** HFRPH D MXGJH! 1RZV \RXU FKDQFH WR VWUW HDUQLOJ WKDW FRYHWHG SRVLWLRQ RI , \$ & RQWVW -XGJH . 2U , \RX FDO DWWHQG MXVW WR 0HDUQ PRUH DERXW ZKDW JRHV RQ DW DHUREDMLF FRQWVW - JUHDW IRU VSRXVH RU VJLQILFDQ R1KHUV! , \$ & PHPEHUVKLS LV QRW UHTXLUHG .

### Introduction to Aerobatic Judging:

7KLV FRXUVH SUHVHQWV WKH EDVLV FROFHSW RI DHUREDMLF MXGJLQJ . , 0 WKLW 2-GD\ FODVV \RX ZL00 0HDUQ:

1. 7KH UROHV DQG UHVSROVLELOLWLVH RI WKRVH LQYROYHG LQ D FRQWVW
2. \$00 DERXW WKH DHUREDMLF ]RQH
3. +RZ WR UHDG D FRPSHWLWLRQ VHTXHQFH
4. : KDW WKH MXGJLQJ FULWULD LV IRU HDFK 1LJXU

8SRQ FRPS0HWLRQ RI WKLW FRXUVH \RX ZL00 EH TXDOLILHG WR YRXQW-WHUHU DV DQ DVLVWDOQ MXGJH DW DQ\ UHJLRQD0 , \$ & FRPSHWLWLRQ , DQG ZL00 KDYH FRPS0HHHG RQH UHTXLUHPHQW WRZDUGV EHFRRPLQJ DQ DHUREDMLF MXGJH .

### Who should attend this course:

- , \$ & PHPEHUV ZKR ZRX0G 0LNH WR EHFRRP 5HJLRQD0 -XGJHV
- &RPSDQLRQVSRXVH RI FRPSHWLWLRQ SLORW ZKR ZRX0G 0LNH WR 0HDUQ WR FULWLTXH
- 1HZFRPHUV WR WKH , \$ & ZKR ZRX0G 0LNH WR 0HDUQ WKH EDVLV UX0HV EHKLOG MXGJLQJ DHUREDMLFV
- &RPSHWLWLRQ SLORW VHHNLQJ D EHWVHU XQGHVWDOGLQJ RI ZKDW MXGJHV DUH ORRNLOJ IRU
- -XGJHV ZKR ZRX0G 0LNH WR EUXVK XS WKHU VNL00V RU ZKR QHHG WR DVLV\ UHFVXUHQF\ UHTXLUHPHQW IRU DWWHQGLQJ D MXGJHV VFKRR0 (RQ0\ QHHG WR DWWHQG 2QG GD\).

### Details:

**Dates:** 6D1XUGD\ , 24-)HEUXDU\ DQG 6XQGD\ , 25-)HEUXDU\ 2000

**Times:** 9:30 \$0 - 6:00 30

**Location:** &RFRUG / %XFKDQRQ )LHOG (&&5) , DW WKH W1HUPLOD0 EXLOGLOJ

**Cost:** \$65 IRU QHZ MXGJHV , \$45 IRU MXGJHV ZDQMLQJ UHFVXUHQF\ (VKRZ XS RQ 6XQGD\). , 0F0XGHV D EDVLV PDWULDOV SDFNHV ZLWK WKH 6WXGHQW +DQGERRN , +RPH 6WXG\ &RXUVH , -XGJHV\ /RJ , DQG WKH , \$ & 5X0H %RRN 5HYLVLRQV IRU 2001 .

**Instructors:** )UHG \$EUDPVRQ & 0LV )0LQW

### Additional Materials Available For Sale:

- ) \$ , \$HUREDMLF & D1D0RJKH ( , 0VWUW DQG ELQGHU ) \$20.00
- ) \$ , \$HUREDMLF & D1D0RJKH 2001 ( , 0VWUW RQ0\ ) \$5.00
- , \$ & 5X0H %RRN \$20.00
- 2001 , \$ & 5X0H %RRN 5HYLVLRQ \$10.00
- 2001 . QRZQ 6HTXHQFH & D00LQJ 3ULPHU (\$XGLR & DVVHWH 7DSH) \$15.00

30HDVH FRQDFW \$QJLH 1LHV (925-373-8786) RU &ULV )0LQW (415-743-7568) IRU PRUH LQIRUPDLRQ .

## Delano Aerobatic Club — FunFest 2001

### Our Annual Start to the California Contest Season!



**What:** %DVLFDQG 6SRUWPDQ &DWHJRULHV (,\$ & 6DQFWLRQHG)

**When:** \$SULO 20 - 22  
 )ULGD\ - 3UDFWLFH, 5HJLVWDWLRQ  
 6DWXUGD\ - 5HJLVWDWLRQ, 3UDFWLFH DQG &RPSHWLRQ )OLJKW (10:30 \$O)  
 6XQGD\ - 5DLQ ' D\, &ULWLTXH 6HVVLRQ RU PD\EH D 5RJHU 5RXUNH XQNQRZQ LI  
 HQRXJK SLORW GHPDQG LW!

**Where:** ' HODQR \$LUSRUW (' /2)

**Motels:** 6KLR ,QQ                      3LROHHU                      &RPIRUW ,QQ  
 (661) 725-7551                      (661) 725-7488                      (661) 725-1022

**Entry Fees:** \$35 IRU 6SRUWPDQ  
 \$25 IRU %DVLFD

: H DUH JRLQJ WR DWHPSW WR 10\ WKUHH VHTXHQFHV IRU DOO 6SRUWPDQ SLORW DQG WZR VHTXHQFHV IRU DOO EDVLF SLORW. &RPSHWLRQ 10\LQJ ZLOO VWDUW DW 10:30 DP EXW ZH ZLOO GR HYHU\WKLQJ SRVLEOH WR DFFRPPRGDWH SLORW WKDW JHW LQ E\ QRRQ RQ 6DWXUGD\! 3LORW ZKR QRUPD00\ 10\ LQ KLJKHU FDWHJRULHV DUH ZHOFRPH WR DWHQG IRU FULWLTXLQJ RU SHUKDSV D 5RJHU 5RXUNH XQNQRZQ VHTXHQFH RQ 6XQGD\ PRUQLQJ.

)RU DQ\ DGGILRQD0 LQIRUPDWLRQ RU TXHVILRQV SOHDVH FD00: -RKQ . LQJ, &RQHVW ' LUHFWRU, (415) 298-0647, -RKQB. LQJ#FRPSXVHUYH.FRP

: H DUH ORRNQJ IRUZDUG WR VHHQJ \RX WKUH! ✈

## Judges School Registration Form

### February 24-25, 2001 — Concord, CA

**Contact:** Angie Niles (925-373-8786)

**First Name:** \_\_\_\_\_ **Last Name:** \_\_\_\_\_

**Address:** \_\_\_\_\_

**City:** \_\_\_\_\_ **State:** \_\_\_\_\_ **Zip:** \_\_\_\_\_

**Phone:** \_\_\_\_\_ **E-mail :** \_\_\_\_\_

**IAC #:** \_\_\_\_\_

**Fees:**  2-Day Registration, New Judges (\$65)                       1-Day Registration, Recurrency (\$45)  
 FAI Aerobatic Catalogue (\$20)     2001 FAI Catalogue Amendment (\$5)  
 IAC Official Contest Rules (\$20)     2001 IAC Rule Book Revisions (\$10)  
 2001 Known Sequenqe Calling Primer Casseatte Tape (\$15)  
 Day 1 Bag Lunch/Coffee/Donuts (\$8)     Day 2 Bag Lunch/Coffee/Donuts (\$8)

**Total:** \_\_\_\_\_ **Check #:** \_\_\_\_\_

Make Check Payable to: **International Aerobatic Club Chapter 38**

Mail to: **Angie Niles**  
**2032 Helsinki Way**  
**Livermore, CA 94550**

## Membership Renewals

Bradley Oliver - Treasurer



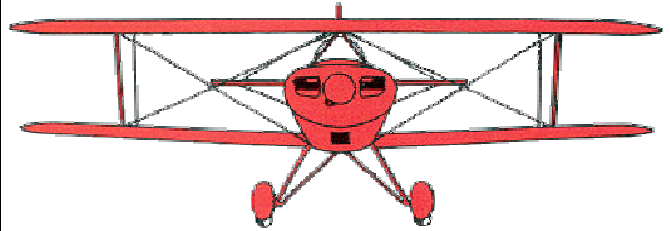
**7** KDQD \RX IRU \RXU UHQHZDQV, KRZHYHU WKHUH DUH VWLQD  
 PDQ\ RI \RX ZKR KDYH QRW VHQW \RXUV LQ \HW. 30HDVH  
 WDNH D PRPHQW IR FRPSOHWH WKH DQDFKHG PHPEHU-  
 VKLS UHQHZDQ IRUP, DOG VHQG LW LQ ZLWK \RXU SD-  
 PHQW. ,I \RX GR QRW UHQHZ \RXU PHPEHU EHQHILW, LQFOXGLQJ  
 ER[ SULYLQJHV, ZLQO HQG LQ ODUFK. 6R SOHDVH UHQHZ QRZ!

7KDQD <RX! ✈

## Aviation Quote

\$ERXW DHUREDMLFV: ,WV OLNH KDYLQJ VH[ DOG EHLQJ LQ D FDU ZUHFN  
 DW VIKH VDPH WLPH.#² #FOLFKp

### KOMAR AVIATION



- \$QQXDQ ,QVSHFWLRQV
- &ROGLWLRQ ,QVSHFWLRQV
- 5HSDUV & ORGLLFDWLRQV
- \$LUFUDIW %XLOGLOJ
- 3LFNXS & ' HOLYHU\
- 1RUPDQ & ([SHULPHQWDQ &DWHJRU\ \$LUFUDIW

#### WE SPECIALIZE IN PITTS SPECIALS

3K: 209-223-4005 )D[: 209-223-4007  
 12370 \$LUSRUW 5RDG; -DFNVRQ, &\$ 95642  
 (PDLQ: NRUH\#NRPDU-DYLDWLRQ.FRP

<http://www.komar-aviation.com/>

## Picture of the Month



Ken Erickson (instructor) in the Pitts S2-C (Sean D. Tucker School of Aerobatics)

# Plane of the Month

Christen Industries / Aviat

# Christen Eagle II

For more info visit the Eagle Interchange:  
<http://musclebiplane.org/htmlfile/eaglehm.htm>

- Length:** 18 ft 6 in
- Wingspan:** 19 ft 11 in
- Height:** 6 ft 6 in
- Engine (4 cyl):** 200 hp
- Wing Area:** 125 sq ft
- Seats:** 2
- Empty Weight:** 1,025 lbs
- Useful Load:** 553 lbs
- Gross Weight:** 1,578 lbs
- Range:** 380 Miles
- Roll Rate:** 200+ deg/sec
- Max ROC:** 2,120 ft/min
- Max Speed:** 184 mph
- Vne:** 212 mph



Christen Eagle II shortly after takeoff

## Classifieds

6HOG \RXU VXEPILVLRQV WR, EUDG# EUDGRÖLYHU.FRP (RU FD00 408.431.1588). &KDSIHU 38 PHPEHUV JHW IUHH ÖLVLOQJV!

**For Sale:** 1DY\ )ÖLJKW ' HFN +HÖPHW. 7KLV KHÖPHW LV ZRUQ E\ PDQ\ RI RXU PHPEHUV, DQG LW HDVLO\ DFFHSW ' DYLQ &ÖDUN VINÖH KHDGVHW. +HÖPHW LV XVHG, 6LJH 7 1/4, \$75. &DÖÖ %UDGÖH\ 2ÖLYHU (408) 431-1588 RU H-PDLO EUDG# EUDGRÖLYHU.FRP.

**For Sale:** Ö7 3URS Ö79-9-%-&-&200 1ÖE, 80.7 KUV VLOFH )DFWRU\ 2YHUKDXÖ, 3 EÖDGH FRPSRVLVH SURS. &RXÖWHU-ZHLJKW IRU RLO SUHVXUH WR GHFUHDVH SLWFK. )RU DHUREDWLQF DLUFUDIW WKDW KDYH /\FRPLQJ ,2-540 HQJLOHV DQG FDQ DFFRPRGDMH 200 FP GLDPHWHUV. 3UHYLXVÖ\ LQVMDÖÖHG RQ (GJH 540. \$10,000 ÖHZ, DVNLQJ \$6,000. \*RYHUÖRU DQG VSLQÖHU DÖVR DYDLODEÖH. 3ÖHDVH FRQDFW: \$ÖÖ ÖDULH 6PLWK, 206-575-8827, DPVPLWK# UHÖSDUW.FRP



## Show Your Chapter 38 Pride - Buy Logo Wear

	Quantity	Total
Chapter Patch	\$12 Each	_____
Chapter 38 T-Shirts	\$20 Each <input type="checkbox"/> M <input type="checkbox"/> L <input type="checkbox"/> XL	_____
Chapter 38 Sweatshirts	\$35 Each <input type="checkbox"/> M <input type="checkbox"/> L <input type="checkbox"/> XL	_____
Chapter Mouse Mat	\$12 Each	_____
FAI Printed Catalog	\$10 Donation	_____
	<b>Total</b>	_____

Make Check Payable to:  
**International Aerobatic Club  
 Chapter 38**

Mail to:  
**Bradley Oliver, Treasurer  
 19851 Lindenbrook Ln  
 Cupertino, CA 95014**

# Aviation News

## 2001 IAC Championships Cancelled — IAC

7KH , \$ & %RDUG RI ' LUHFWRUV KDV FDQFH00HG WKH 2001 , \$ & & KDPSLRQVKLSV, VFKHGX0HG IRU WKL V ID00 LQ )0RULGD. 7KH FKDPSLRQVKLS HYHQW ZDV FDQFH00HG DIWHU WKH )0RULGD FKDSWHUV ZKR PDGH WKH RULJLQD0 EHG WR KRWW WKH HYHQW ZLWKGUHZ WKHLU ELG. /RXLVLDQD & KDSSHU 72 KDG D0VR ELG RQ WKH HYHQW, EXW WKHLU WHQDNL\H VSULQJ GDWH 0HIW LQDGHTXD0 H WLPH WR SURSHU0 RUJDQL]H DQG SXEOLF]H WKH PHHW.

7KH VLWXDMLRQ KDV JLYHQ WKH , \$ & %RDUG WKH RSSRUXQLW\ WR UHYLHZ WKH HQMLUH & KDPSLRQVKLS FROFHSW, , \$ & +LVWRULDQ DQG %RDUG RI ' L-UHFWRU 0LNH +HXHU H[SODLQH WKDW ZKHQ WKHUH ZHUH WZR FRPSHWLQJ 0DMLRQD0 DHUREDLF RUJDQL]DMLRQV - WKH \$HUREDLF & 0XE RI \$PHULFD (\$&\$) DQG WKH , \$ & WKH \$&\$ KH0G WKH 8.6. 1DMLRQD0V DQG WKH , \$ & KH0G WKH , \$ & & KDPSLRQVKLSV. : KHQ WKH , \$ & EHFDPH WKH VROH DHUREDLF VDFWLROQLJ DXWKRULW\ LQ WKH 8.6., WKH , \$ & NHSW0. 3374400PH0 113T0(WK) 17. 3(H)JTJ/F101T816(J)JTJ/F104(L)854

# Calendar of Events

## February

- 3** Young Eagles Day
- 11** Monthly Chapter Meeting — Speaker: **Cris Flint** (See Below)
- 24-25** Judges School (See Page 5)
- 24-25 Bill Briski Akrofest, Chandler Airport (CHD), Chandler, AZ  
Basic & Sportsman Only, Michael Wolf 480-753-6950, mwolf@home.com

## March

- 11** Monthly Chapter Meeting
- 25** Judges Workshop & Critique Day — 11am-4pm — Tracy Airport
- 25** Critique Day — 11am-4pm — Tracy Airport
- 29-31 Copperstate Aerobatic Championship — Casa Grande Airport (CGZ), Casa Grande, AZ  
Basic Through Unlimited Power, Mike Stevenson 480-502-1567, mstevenson@earthlink.net
- 31 Borrego Minifest, Borrego Springs, CA, www.iac36.org, Carson Tyler, acropilot@earthlink.net

## April

- 8** Monthly Chapter Meeting — Guest Speaker: **Wayne Handley**
- 20-22 Delano FunFest (See Page 5), John King, Contest Director, (415) 298-0647,  
John\_King@compuserve.com
- 29** Judges Workshop — 11am-4pm — Tracy Airport
- 29** Critique Day — 11am-4pm — Tracy Airport

## May

- 3-5 Apple Valley (Victorville), Mike Mangold, mjvan@gateway.net
- 13** Monthly Chapter Meeting
- 27** Judges Workshop — 11am-4pm — Tracy Airport
- 27** Judges Critique Day — 11am-4pm — Tracy Airport
- 31** Paso Robles Contest (Continued June 1-2), Graham Bird, president@iac38.org

## June

- 1-2** Paso Robles Contest (Continued from May 31)
- 16** Post Paso Robles Potluck Party — 6:30pm — Angie & Alex's House

(Chapter 38 Events in Bold)



## February 11th Meeting — Topic: 2001 Sportsman Sequence

Michael Flynn — Vice President

\$W WKLV PRQMKV ( )HEUXDU\ ) &KDSIHU PHHILOJ, &ULV )OLQW ZL00 UHYLHZ WKH 2001 6SRUWPDQ . QRZQ LQ GHIDL0. 6IIXG\ WKH VHTXHQFH, SULOW LW RXW LI \RX FDQ, EHFDXVH &ULV ZDQW WR NORZ WKH IR00RZLQJ WKLOJV;

- 1) <RXU VIDUWLOJ DQNLIXGH \$\* / (EH FDUHIX0 - WKLV FRX0G EH D WULFN TXHVMRQ)"
- 2) : KHUH \RX ZL00 VHW \RXUVH01 XS ODWHUD00\ IRU WKH EHJLQQLQJ RI WKH VHTXHQFH"
- 3) <RXU HQW\ & H[LW DLUVSHHG IRU (\$+ ILJXUH"
- 4) <RXU HQW\ & H[LW DQNLIXGH \$\* / IRU (\$+ ILJXUH"
- 5) 7RND0 QHW FKDQJH LQ DQNLIXGH IURP VNDUW WR ILQLVK"
- 6) : KLFK ZD\ \RX DUH JRLQJ WR UR00 RQ WKH GRZQ LQ ILJXUH 3"
- 7) : KLFK ZD\ \RX DUH JRLQJ WR WXUQ LQ ILJXUH 5"
- 8) DUH WKUH DO\ WKURZ-DZD\V" ,I VR ZK\"
- 9) +2: ZL00 \RX KDQGH WKH GLVMRULRQ HIIHFW RI WKH GRZQZLQG ORRS (ILJ 9)" ✈

## Web Site of the Month

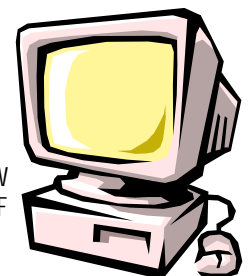
<http://www.405themovie.com/>

### Description:

,I \RX KDYHQW VHHO LW \HW, \RX VLPS0\ PXVW GRZQ0RDG DQG ZDMFK WKLV PRYLH. : KDW LV HYHQ PRUH DQDQJLQJ LV WKH VMRU\ EHKLOG WKH PRYLH, EXW , ZRQW JLYH LW DZD\ EHFDXVH LW LV D00 RQ WKH ZHE VLVH. 7KLV PRYLH SXW WUDILF LQ WKH %D\ \$UHD LQWR SHUVSHFWLYH!

0#6XEPLWGH#E\#%JUG#20LYHU#

- 30HDVH VHOG \RXU IDYRULIH ZHE VLVH, W00LOJ PH ZK\ \RX 0LNH LW, WR EUDG# EUDGR0LYHU.FRP (RU FD00).



# IAC Chapter 38 Membership Application/Renewal Form

New Member

Renewal

Address/Phone Change

Name: \_\_\_\_\_ Spouse: \_\_\_\_\_

Address: \_\_\_\_\_

City: \_\_\_\_\_ State: \_\_\_\_\_ Zip: \_\_\_\_\_

Home Phone: \_\_\_\_\_ Work Phone: \_\_\_\_\_

E-mail 1: \_\_\_\_\_ E-mail 2: \_\_\_\_\_

IAC #: \_\_\_\_\_ EAA #: \_\_\_\_\_

Certificate #: \_\_\_\_\_

Judge:  Yes  No Newsletter:  E-mail (Adobe PDF)  Postal Mail

Competition:  None  Basic  Sportsman  Intermediate  Advanced  Unlimited

Aircraft: \_\_\_\_\_ N #: \_\_\_\_\_

Referred By: \_\_\_\_\_

Dues:  Single Membership (\$25/year)  Family Membership (\$30/year)

Send with check, made payable to "International Aerobatic Club Chapter 38", to:  
**Brad Oliver, Treasurer**      **19851 Lindenbrook Ln**      **Cupertino, CA 95014**



**Bradley Oliver**  
Editor, IAC 38  
19851 Lindenbrook Ln  
Cupertino, CA 95014

**CHAPTER MEETING:**  
**Sunday, February 11th, 4:00 PM**  
**Hayward (See Page 3)**